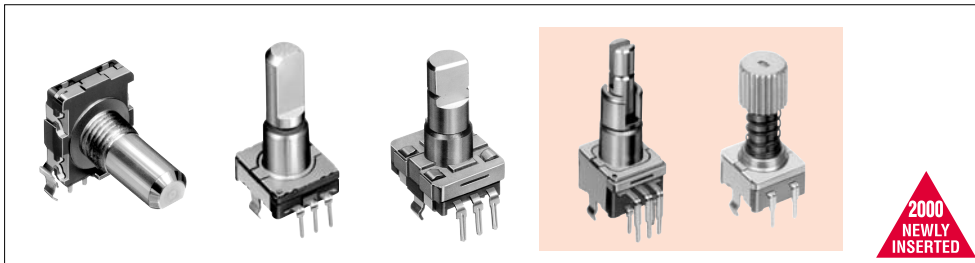


11mm Size Metal Shaft Encoders

Compact and highly reliable type available in variety.



Those parts which are shown on the patterned background among the above appearance photographs are new products.

Features

- High-precision sliding type encoder.
- Compact design, long life and high reliability.
- Capable of adapting to a 4.5 mm body with 1.5 mm stroke push switch.
- Available in a wide variety of lineup to meet all user needs.
- Incremental type.

Applications

- All kinds of level control, tuning and timer setting in audio-visual equipment, ordinary household electric appliances, radio equipment, communications equipment, etc.

Products Line

Size	Model	Pulses/rotational	Number of detent	Detent torque	Mounting method
Standard type	EC11B15	15/360°	30	5 to 19 mN·m	Available for fastened with bushing unit/ snap-in
			15		
	EC11B20	20/360°	20		
Thin type	EC11E09	9/360°	18	3 to 17 mN·m	Available for Snap-in only
	EC11E15	15/360°	30		
	EC11E18	18/360°	36		

注記 Notes

1. Adaptable to a push-on switch.
2. Also adaptable to units without a click.
3. For standard type, click torque up type is also available.
4. The thin type is also available with 2-shaft (outer shaft encoder or self-return switch) or 1-shaft push lock mechanism.
5. The thin type is also available with self-return switch.
6. The EC11B (30 detents) and EC11E type type have output of 1 pulse per 2 click.

11mm Size Metal Shaft Encoders

Rotary Potentiometers

Slide Potentiometers

Trimmer Potentiometers



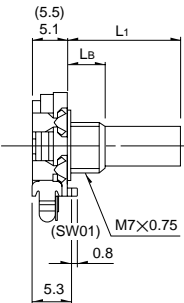
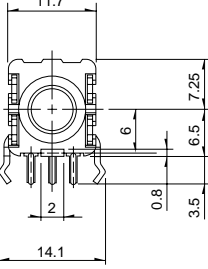
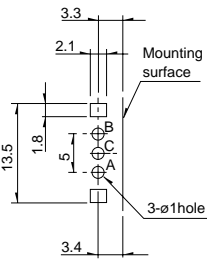


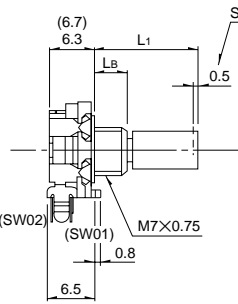
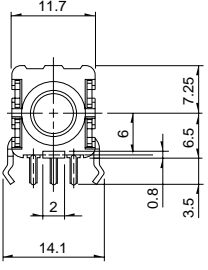
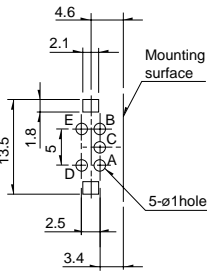
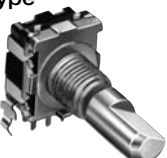

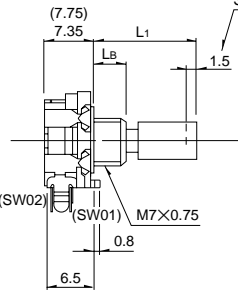
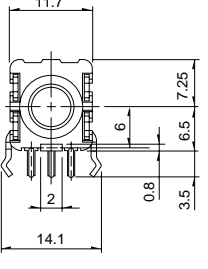
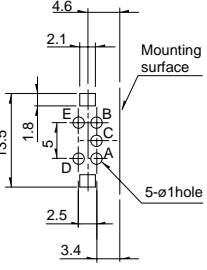


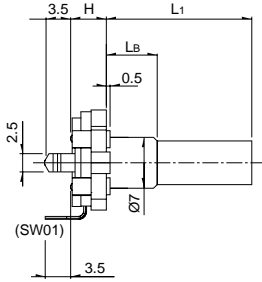
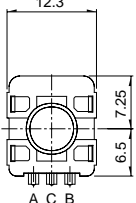
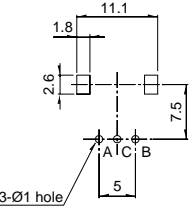
Stick Controller

Rotary Encoders

Position Sensors

■ Dimensions

Unit : mm

Model	Dimension		
<p>EC11B□□202 Horizontal type</p>  <p>Minimum packing unit 100 pcs.</p>	 		 <p>Mounting hole detail viewed from mounting side</p>
<p>travel 0.5mm EC11B□□242-5R4411 With push-on switch horizontal type</p>  <p>Minimum packing unit 100 pcs.</p>	 		 <p>Mounting hole detail viewed from mounting side</p>
<p>travel 1.5mm EC11B□□242-5R4511 With push-on switch horizontal type</p>  <p>Minimum packing unit 100 pcs.</p>	 		 <p>Mounting hole detail viewed from mounting side</p>
<p>EC11B□□203 Vertical type</p>  <p>Minimum packing unit 100 pcs.</p>	 		 <p>Mounting hole detail viewed from mounting side</p>



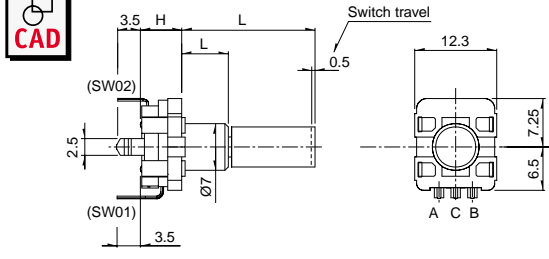
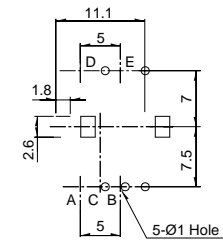
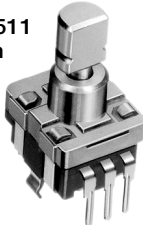

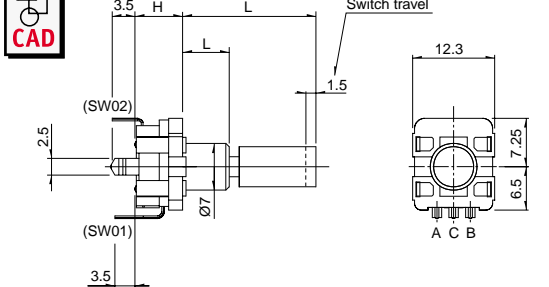
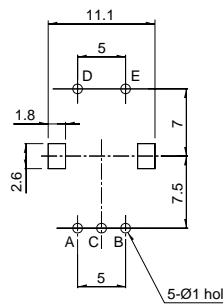


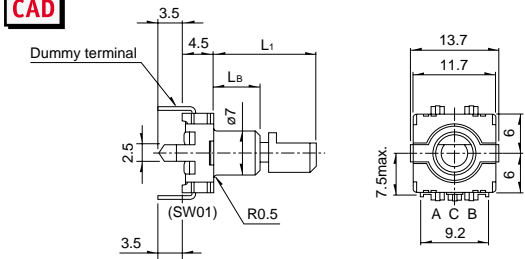
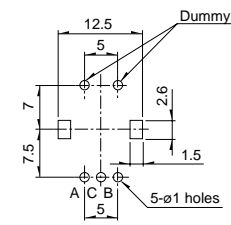
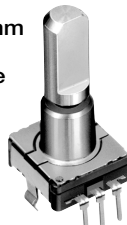

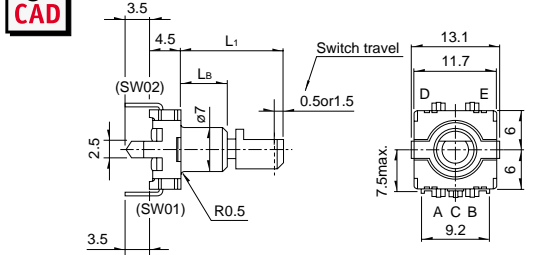
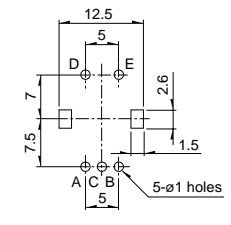
注記
Notes

1. Dimensions in parentheses () are available for the trick torque up type.
2. Dimension H is a EC11B Vertical type installation height (H) in P.163.

11mm Size Metal Shaft Encoders

Dimensions

Unit : mm

Model	Dimension		
<p>travel 0.5mm EC11B□□243-5R4411 With push-on switch vertical type</p>  <p>Minimum packing unit 100 pcs.</p>	 	 <p>Mounting hole detail viewed from mounting side</p>	
<p>travel 1.5mm EC11B□□243-5R4511 With push-on switch vertical type</p>  <p>Minimum packing unit 100 pcs.</p>	 	 <p>Mounting hole detail viewed from mounting side</p>	
<p>Low-Profile and vertical type EC11E□□204</p>  <p>Minimum packing unit 100 pcs.</p>	 	 <p>Mounting hole detail viewed from mounting side</p>	
<p>Low-Profile type, 0.5 mm travel/1.5 mm travel push on switch, vertical type EC11E□□244</p>  <p>Minimum packing unit 100 pcs.</p>	 	 <p>Mounting hole detail viewed from mounting side</p>	

注記
Note

Dimension H is a EC11B Vertical type installation height (H) in P.163.

11mm Size Metal Shaft Encoders

Rotary Potentiometers

Slide Potentiometers

Trimmer Potentiometers


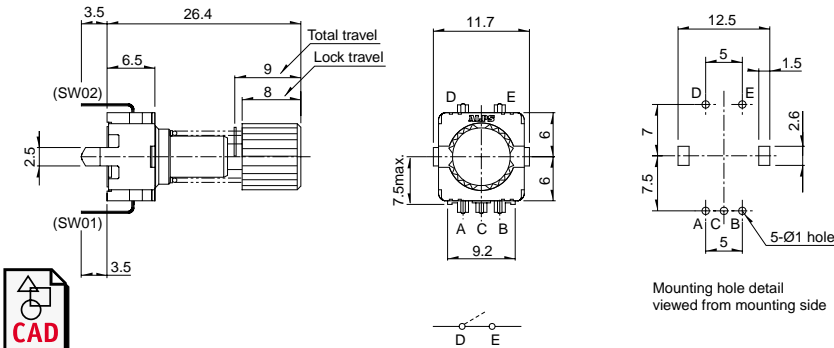

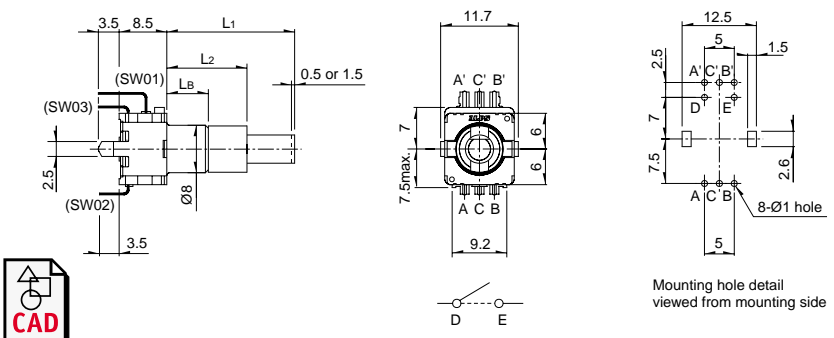
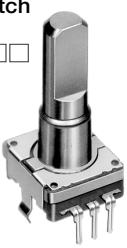
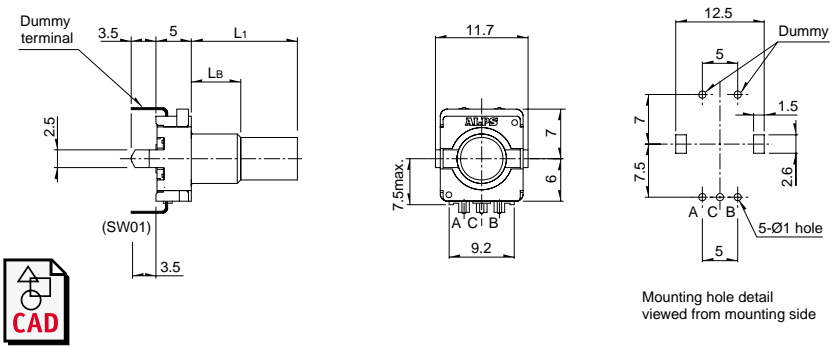

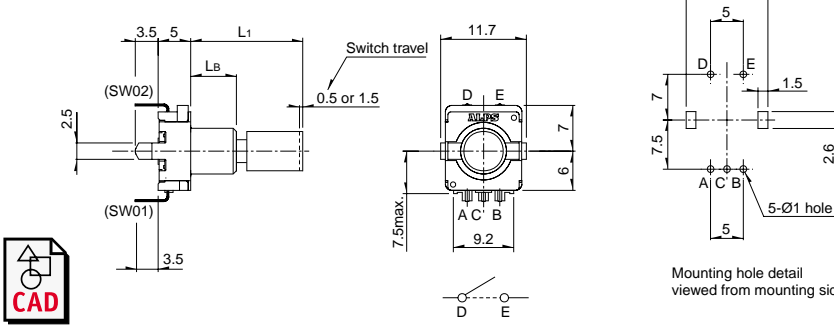
Stick Controller

Rotary Encoders

Position Sensors

■ Dimensions

Unit : mm

Model	Dimension
<p>Low-profile type with push-lock switch vertical type EC11E1524U</p>  <p>2000 NEWLY INSERTED</p>	 <p>CAD</p>
<p>Low-profile type dual-shaft type EC11E</p>  <p>2000 NEWLY INSERTED</p>	 <p>CAD</p>
<p>Low-profile type self-return switch vertical type EC111□□□□□</p>  <p>2000 NEWLY INSERTED</p>	 <p>CAD</p>
<p>Low-profile type self-return switch 0.5mm travel / 1.5mm travel push-on switch vertical type EC111□□□□□2</p>  <p>2000 NEWLY INSERTED</p>	 <p>CAD</p>

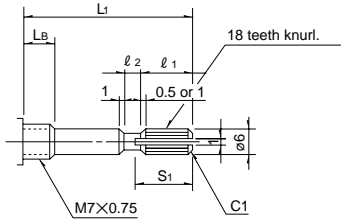
Standard Dimensions of Shaft

1 Single-shaft Type

1.) Knurled Type

Unit : mm

- Style $\phi 6$ (Shaft diameter)

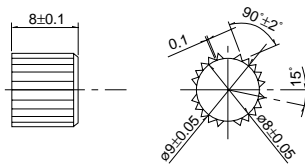


● Detail dimensions

L ₁	L _B	l ₁	l ₂	S
15	5	6	1	7
20	7	6	1	7
25	7	10	2	11
30	7	12	4	14

- Style $\phi 9$ (Shaft diameter)

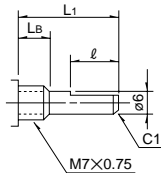
Applicable to models with push lock mechanism only.



2. Flat Type

Unit : mm

- Style : $\phi 6$ (Shaft diameter)



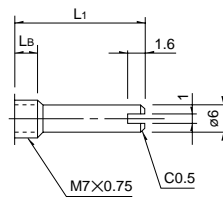
● Detail dimensions

L ₁	L _B	l
15	5	7
20	7	10 (12)
25	7	12
30	7	12

3. Slotted Type

Unit : mm

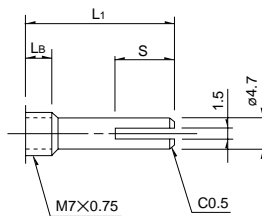
- Style : $\phi 6$ (Shaft diameter)



● Detail dimensions

L ₁	L _B
15	5
20	7
25	7
30	7

- Style : $\phi 4.7$ (Shaft diameter)



● Detail dimensions

L ₁	L _B	S
15	5	8
20	7	8 (11)
25	7	11
30	7	11

※Dimensions in parentheses () are available for the type without push-on switch.

注記
Note



shows the specification recommended by us.

11mm Size Metal Shaft Encoders

Standard Dimensions of Dual-shaft Type

1.) Slotted Type

Unit : mm

● Style

● Detail dimensions (mm)

L ₁	L ₂	L _B	S	l
20	10	5	7	4
25	15	7	7	5
30	20	7	7	5

2.) Flat Type

Unit : mm

● Style (Inner-shaft : $\phi 3.5$ Outer-shaft : $\phi 6$)

● Detail dimensions (mm)

L ₁	L ₂	L _B	l ₁	l ₂
20	10	5	7	4
25	15	7	7	5
30	20	7	7	5

EC11B

EC11B Vertical Type Installation Height (H)

Bushing	H Dimensions			L _B
	Switch Without switch	Switch (Travel/0.5mm)	Switch (Travel/1.5mm)	
$\phi 7$	5.4 (5.4)	6.6 (6.6)	7.55 (7.55)	5 or 7
M7×0.75	5.4 (5.8)	6.6 (7.0)	7.55 (7.95)	

※ Dimensions in parentheses () are available for the trick torque up type.

注記
Note shows the specification recommended by us.